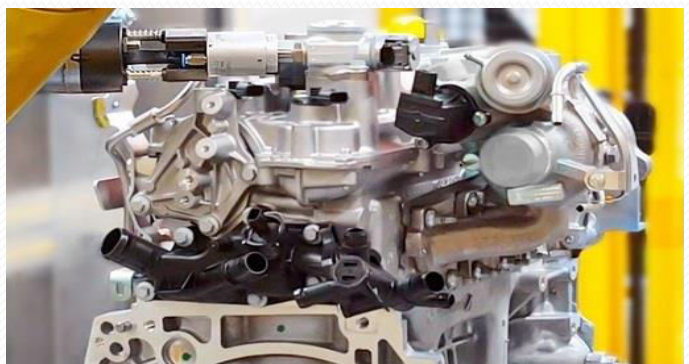




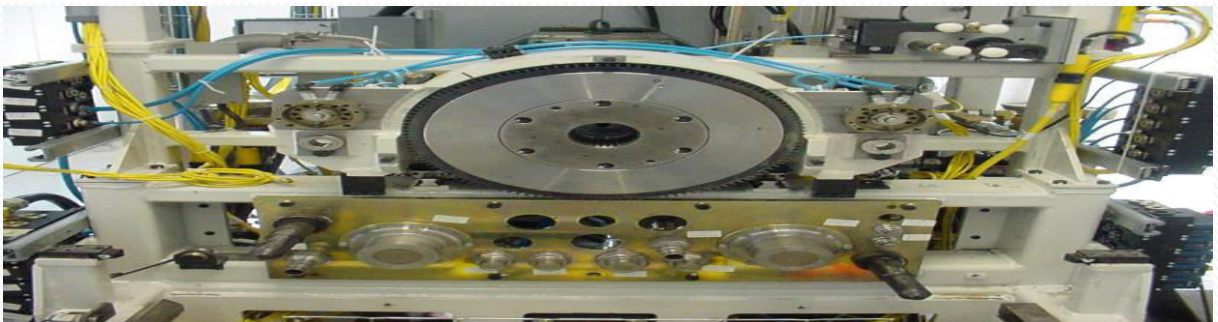
TTR ENTERPRISES UNIQUE COUPLERS





TTR ENTERPRISES UNIQUE COUPLERS

TTR-fast couplings for leak detection, pressure detection, and filling applications. Test valves for gasoline and hydrogen fuelling components. TTR is a manufacturer of cutting-edge technologies for linking and refuelling vehicles. The fast connectors for feature testing, leak testing, and pressure testing from vacuum to 2,000 bar are easy to use and need no hand tightening. The TTR brief connects and disconnects are made to bind threads, beads, loops, hoses, and a variety of other items. .. without the need for spinning, flipping, or hand-tightening For link and disconnection, TTR leak test fittings save a significant amount of time. For gasoline filling schemes, there are several different types of fast release couplings. It includes fuel fittings for a variety of cylinder requirements, such as cga and din. It provides additives for gasoline and hydrogen refuelling in vehicles, as well as high-flow capabilities and full defence capabilities. TTR test valves for liquid and gaseous media are made of stainless steel, galvanised steel, or brass and are suitable for extremely difficult applications. On request, customer-specific responses are available. TTR oxygen and inert gas extreme tension valves are designed for filling, evacuating, and combining gases in complicated valve systems. The multi-function valves incorporate a stop valve with options, as well as automatic venting, integrated test valve, block & bleed, manual or pneumatic actuation, to make manipulating and preserving fuel mixing flows even easier. It's also possible to use vacuum packaging. For us, working on stressful packages in conjunction with consumers and developing advanced technologies for a variety of packages is a reality. We will efficiently handle the most difficult tasks thanks to our unique technological knowledge. Designing, producing, and manufacturing high-quality products is our core competency. New assembly centres, thorough inspection procedures, and nonstop growth methods ensure the highest first-class standards at all times.





TTR ENTERPRISES UNIQUE COUPLERS

CLAMP COUPLERS

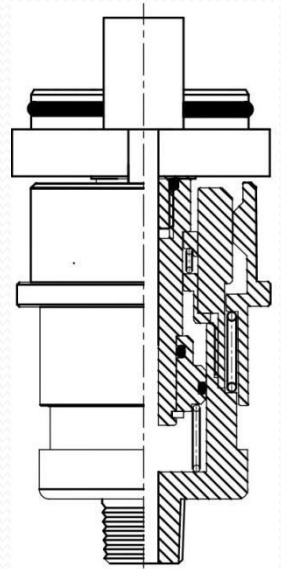


Features of our couplings :

All of our couplers are made-to-order to suit our customers' unique requirements. Although there are several basic product series that can be purchased, all of our products are custom-ordered from the start of the manufacturing process to ensure that the specification and execution satisfy the individual demands of our consumers.

Designed for non-standard , special shape pipe clamp requirements with Simultaneous Pipe clamping and sealing with touch, simple push operation . Ideal clamp solution .For special shape pipe clamps in Continual moving line production ergonomic design ,reduces operation fatigue.

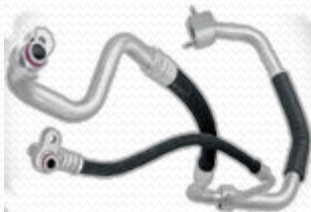
Our Couplers are engineered and manufactured to handle connections to any job, and adding air operative mechanisms can help automate the process.





TTR ENTERPRISES UNIQUE COUPLERS

CLAMP COUPLERS

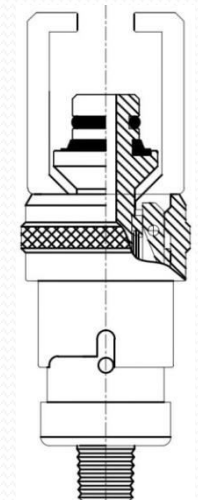
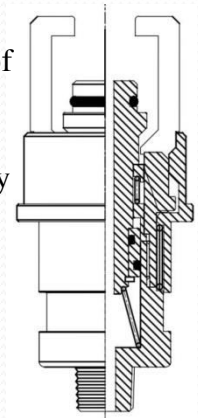


Other advantages of one-touch couplers include: -

- Our Couplers can be conveniently attached to and detached from any kind of pipe made of materials such as copper, steel, or aluminium, plastic or pipes of unusual shapes without needing extra work.
- The mechanisms in one-touch couplers enable them to be assembled simply by installing the job.
- Work quality can be increased by using Our Couplers.
- Working hours for manufacturing will be drastically shortened.
- Built-in self-valves may also be added, allowing for a single service connection to works including flammable gas and liquids. During disconnection, it also avoids gas and liquid leakage.
- Based on the design, our Couplers will be used to make a variety of items.
- Couplers that are held in place by ratchets.
- Applicable to any object that can be fixed in place, even though it is not in the shape of a pipe.

Utilization:

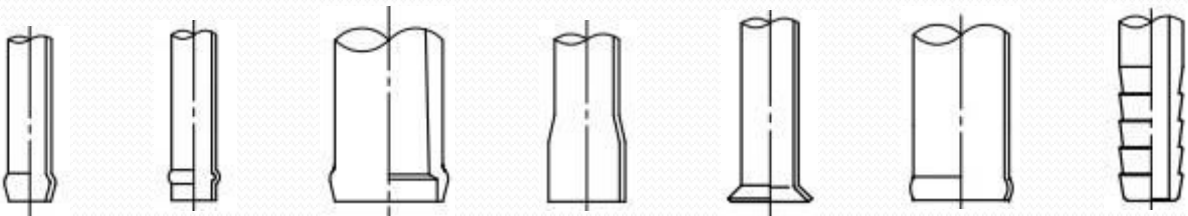
- To check for leaks,
- To supply different types of fluids,
- And to monitor for longevity





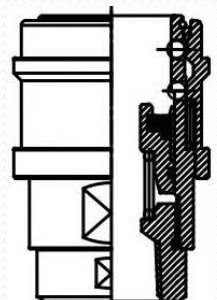
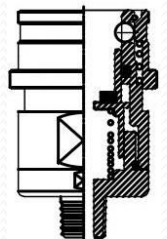
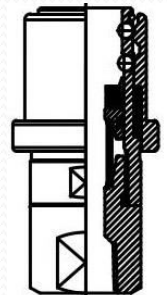
TTR ENTERPRISES UNIQUE COUPLERS

BALL GRIPPING COUPLERS



Features of our Couplers

- Available for a variety of fluid-supply strategies.
- Smooth connectivity and disconnection allows for labour-saving integration.
- Our couplers are made for non-standard, one-of-a-kind pipe and can be used
- to attach any job. Ball lock built-in/outer edge lock are some of the
- built-in integrated lock strategies available for Our Couplers.
- It is possible to improve efficiency.
- Self-valves can also be installed, allowing for built integrated connection
- built-ing to works involving flammable gasoline, gas, and liquids in a single
- process. It also has a built-in integrated disconnection that avoids gas and
- liquid leakage.



Utilization:

- To search for leakage,
- To supply a variety of fluids,
- Even, to keep an eye on the long-term viability

We deliver the commodity in the length required by our clients' jobs. The pipe size is determined after consultation with our clients, and the seal material is chosen prior to manufacturing to ensure that the seal's consistency matches the fluid used in the work.



TTR ENTERPRISES UNIQUE COUPLERS

INNER DIAMETER GRIPPING COUPLERS



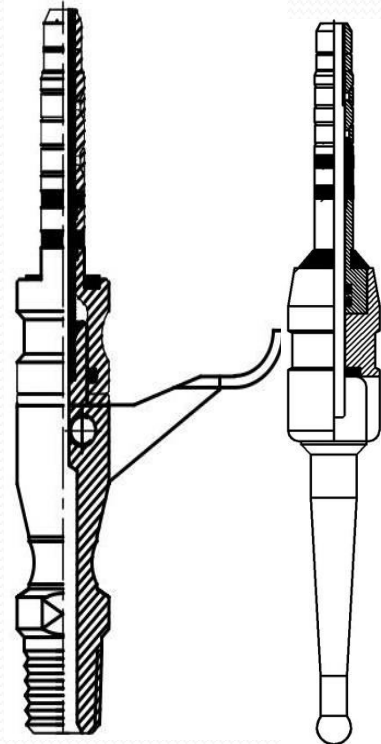
Since the clamp is placed in the inner wall of the tubing, it is extremely powerful in tight spaces. The inner wall of the job is secured using a clamp. In small spaces, it proves its worth!! It works for the airtightness that is used in the air conditioner and refrigerator production process (heat exchangers, etc.).

- For a one-touch attachment to the office's inner wall.
- Encourages interaction within the job.

Implements an inner wall clamping mechanism that firmly fastens the clamp to the inner wall of the work by folding the lever down on the other side of the Coupler. • When the lever is activated, the inner wall and leading end of the work are immediately sealed.

Utilization:

- Pressure Tests
- Leakage Tests
- Vacuum Pull Tests
- Charging Works





TTR ENTERPRISES UNIQUE COUPLERS

OUTER DIAMETER GRIPPING COUPLERS



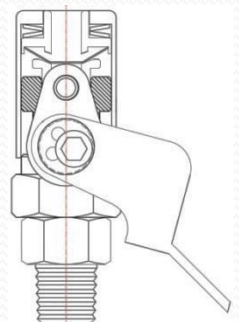
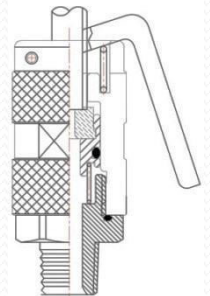
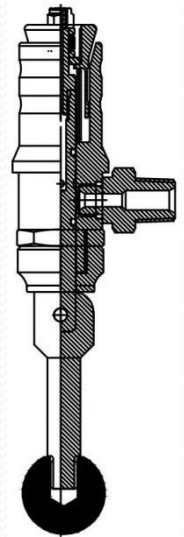
- Directly connects to tubing.
- A collet is used to secure the pipe's exterior diameter.
- Simple detachment is achieved by the use of a lever device.
- Aluminium is used in the body material to reduce weight and increase workability, making it ideal for refrigerator assembly lines.

Utilization:

- Freon gas, water, refrigerator oil, and other fluids are among the fluids that can be used.
- Air conditioning and refrigerators were among the specifications that coolant endorsed.
- Vacuum suction, coolant charge, and pressure leakage screen for air tightness

- Directly connects to tubing.
- A toggle is used to secure the pipe's outer diameter.
- Simple detachment is achieved by the use of a lever device.
- Stable clamping is achieved by using a spring when attaching to the tubing.

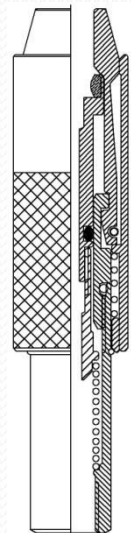
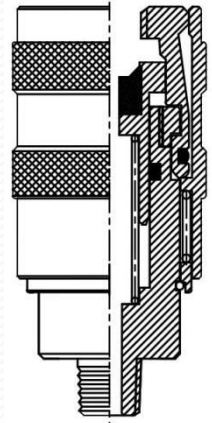
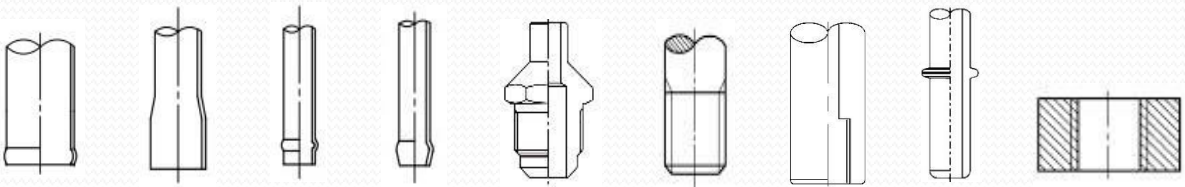
- Ideal for linking and disconnecting large-diameter straight pipes!!
- Employs a unique collet clamping mechanism that allows the clamp locking force to be adjusted.
- Specifically connects to wide diameter straight tubing.
- The structure secures the pipe's outer diameter with a special collet clamp.





TTR ENTERPRISES UNIQUE COUPLERS

JAWS COUPLERS

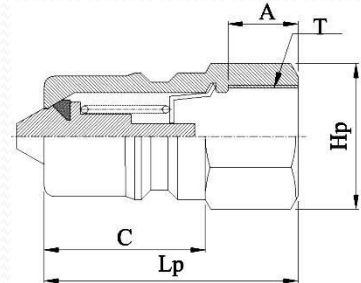
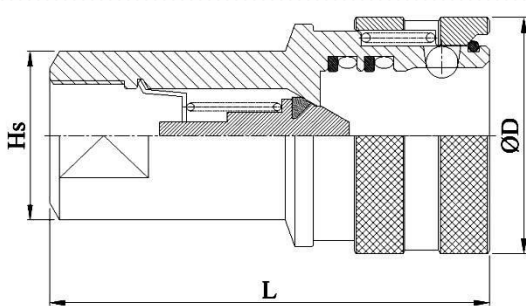


- Direct, one-touch connection to one of a kind unshaped pipes with bead, rim, collar, flange, stub or external, internal thread.
- Connecting is simple. In reality press it onto the work piece.
- Relaxed design ensures that its locking claw securely grips the fitment on the identical time as it is connected.
- Ready with a locking mechanism that stops careless separations whilst in use.
- Employs a 4-degree lip packing at the packing floor to allow a more stable packing surface compared to O-ring and traditional packing. It shortens take a look at times and improves productiveness by using the usage of high first rate stainless steel the couplers meet the stringent requirements of business trying out
- Automation feasible
- No hand tightening required
- Expanded productiveness



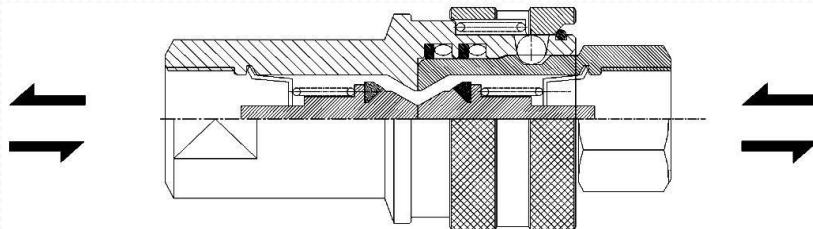
TTR ENTERPRISES UNIQUE COUPLERS

PLUG & SOCKET



Model	Application	Dimensions (mm)				
		L (mm)	D (mm)	Hs	A (mm)	T
TTR-S-1/8"	R 1/8	48	24	2 Face 14 x Ø18	11	Rc1/8
TTR-S-1/4"	R 1/4	58	28.5	2 Face 17 x Ø22	13	Rc1/4
TTR-S-3/8"	R 3/8	65	35	2 Face 22 x Ø25	11	Rc3/8
TTR-S-1/2"	R 1/2	72	44	2 Face 27 x Ø35	15	Rc1/2
TTR-S-3/4"	R 3/4	88	53	2 Face 35 x Ø41	17	Rc3/4
TTR-S-1"	R 1	102	63	2 Face 41 x Ø48	21	Rc 1

Model	Application	Dimensions (mm)				
		Lp (mm)	Hp (mm)	C	A	T
TTR-P-1/8"	R 1/8	29	Hex 14	19	11	Rc 1/8
TTR-P-1/4"	R 1/4	36	Hex 17	22	13	Rc 1/4
TTR-P-3/8"	R 3/8	40	Hex 22	25.4	11	Rc 3/8
TTR-P-1/2"	R 1/2	44	Hex 29	28	15	Rc 1/2
TTR-P-3/4"	R 3/4	52	Hex 35	36	17	Rc 3/4
TTR-P-1"	R 1	62	Hex 41	40.3	21	Rc 1



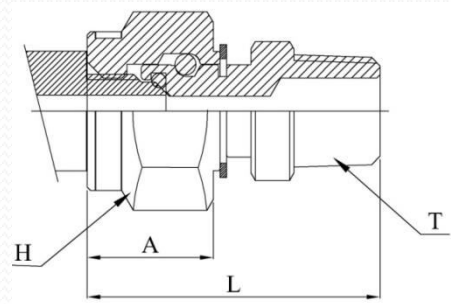
It is suitable for refrigerants, helium and vacuum. The plug, socket has an automatic shut-off valve. Excellent sealing design for refrigerant filling and vacuum cleaners.

Use automatic shut-off valve. Completely seal when separated. They can be used in as many as one type of vacuum. There are a wide variety of main materials and packing materials for air conditioner and refrigerator production lines.



TTR ENTERPRISES UNIQUE COUPLERS

TTC SERIES



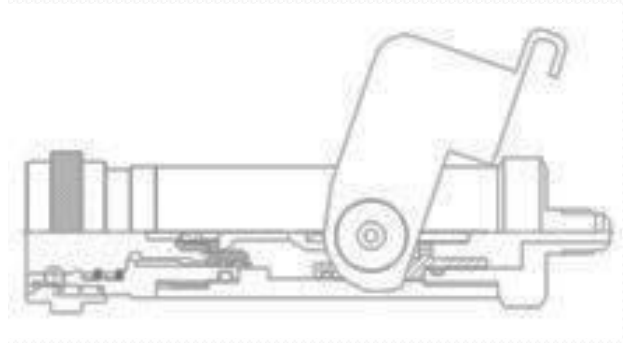
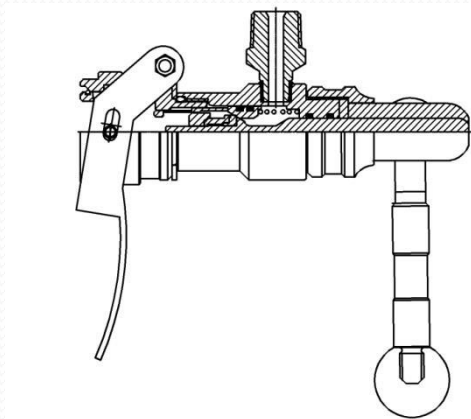
- Easy direct connection to make male threads to UNF nuts with stands vacuum while connected to permit use in strain trying out, coolant gasoline filling and pulling vacuums.
- An abundance of sizes and packing materials are to be had to address air conditioner, fridge and packing manufacturing traces.
- Special 'o' rings are to be had to deal with new sorts of coolants.
- Swivel kind design, prevents scratch marks to the product threads

PART NO	L	A	H	T
TTC-0716	42	20	19	1/4,3/8
TTC-0508	48	24	27	1/4,3/8
TTC-0304	49	24	27	1/4,3/8
TTC-0708	52	26	27	1/4,3/8
TTC-1716	57	25.5	35	1/4,3/8



TTR ENTERPRISES UNIQUE COUPLERS

GRM COUPLER SERIES



Just release the plug by lifting the lever to release the residual pressure. It is ideal for filling refrigerant, vacuuming and connecting/disconnecting residual pressure. Equipped with automatic shut-off valve. When disconnecting, prevent fluid from leaking out of the channel. It can be connected or disconnected even if there is residual pressure. The shut-off valve can be opened or closed with the lever on the back. The safety design prevents the valve from being opened even if the lever is pushed no connection. After the charging process is complete, just lift the handle to release the residual pressure, and then the plug can be pulled out. The GSM type can be connected to standard plugs, Use the plug connection to close the sleeve on the loading and unloading cover, and then insert the plug into the loading and unloading cover for simple connection. Lowering the lever will open a valve through which liquid can flow. Pulling off the plug can reduce the residual pressure between the tailgate valves by raising the lever, and the plug can be easily released by pulling the tailgate grommet. If you disconnect the valve on either side, immediately block the flow path to prevent fluid leakage.



TTR ENTERPRISES UNIQUE COUPLERS

Unique coupling statistics to be furnished with enquiry or order

- Test piece – (2 to 3 pcs) or Drawing
- Body material i.e. SS-304 /Brass/Assorted
- Brief coupler style & configuration(i.e. male thread / female / hose & type Bspp / Bspt / Npt.
- Testing method
- Operating pressure in psi or kg/cm²
- Temperature variety
- Application : Air / Gas / Liquid.
- Quantity in no's

Contact for Quote :

TTR ENTERPRISES

Hyderabad,Telangana-500085.

Phone : 040-48589462.

Mobile : +91-9381852120

+91-9021742823

Email : info@ttrenterprise.com

Website : www.ttrenterprise.com