



# TTR ENTERPRISES

## CAMLOCK COUPLERS





# TTR ENTERPRISES

## CAMLOCK COUPLERS

### APPLICATIONS



Email : [info@trenterprise.com](mailto:info@trenterprise.com)



# TTR ENTERPRISES

## CAMLOCK COUPLERS

TTR camlocks ensures no separation of line pressure used extensively in industries, namely, breweries, chemicals, dyes, fertilizers, inks, mining, petroleum, paper generators, textiles and other commercial institutions, in a manner camlock body is made from strong bar inventory of aluminium/mild steel brass/ss304/ss316, in any other case body is crafted from castings of carbon metal wcb grade or i.s. 1030/gunmetal lg 2c grade / aluminium bronze ab2c grade / ss304 (cf 0.08) / ss316 (c. f. zero.08), cam palms is crafted from casting of ss304/ss316/ gunmetal / aluminium bronze, seal cloth of trendy nitrile/silicon /hypalon/neoprene with give up connections as in step with requirements, suitable to face up to working pressures from 100 psi to 500 psi and temperature from – 40 c to +350c with proper selection of frame and seal substances.



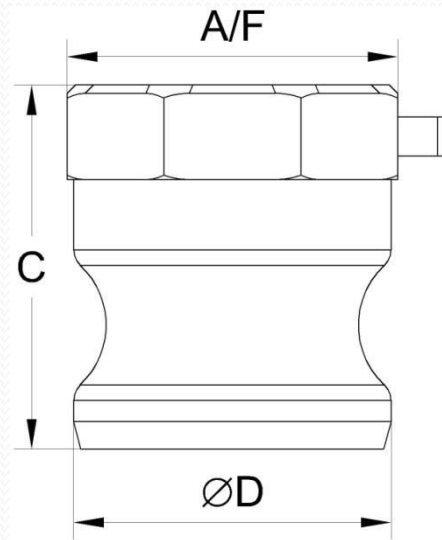
- Mild lever pull down will hook up with adapter and coupler without fail equipped to go with the flow liquid or gases.
- This coupler complies with various applications in liquid or gasoline transportation.
- Cease face seal shape allows no bumps or hollows at the inner fluid passage, and guarantees smooth fluid transportation.
- Connection component dimensions comply with us military specifications MIL-A-59326.
- The variety of frame materials , sizes and give up configurations has been standardized to comply with wide range of applications
- Additional stopper function design will enhance safety (made-to-order product)
- These adapters and couplers are interchangeable with the requirements MIL-C-27487 & DIN- 2828.



# TTR ENTERPRISES

## CAMLOCK COUPLERS

### ADAPTOR-A



| Serial No. | Camlock Size | A/F   | C    | ØD    |
|------------|--------------|-------|------|-------|
| 1          | 1/2"         | 25    | 40   | 22.7  |
| 2          | 3/4"         | 33    | 43.6 | 32.1  |
| 3          | 1"           | 38.5  | 48.1 | 36.7  |
| 4          | 1 1/4"       | 48    | 55   | 45.5  |
| 5          | 1 1/2"       | 54    | 55.5 | 53.4  |
| 6          | 2"           | 66.5  | 62   | 63    |
| 7          | 2 1/2"       | 80.5  | 86.3 | 75.8  |
| 8          | 3"           | 96    | 70.2 | 91.5  |
| 9          | 4"           | 130.5 | 79.9 | 119.5 |
| 10         | 5"           | 155.5 | 80.9 | 145.5 |
| 11         | 6"           | 183.5 | 94.1 | 176.3 |

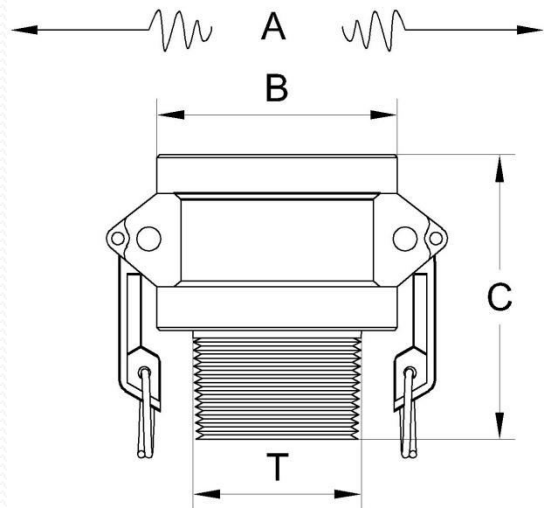
All dimensions are in mm ; dimensions subject to change without notice please.



# TTR ENTERPRISES

## CAMLOCK COUPLERS

### COUPLER-B



| Serial No. | Camlock Size | A     | B     | C     |
|------------|--------------|-------|-------|-------|
| 1          | 1/2"         | 119.4 | 54.7  | 54.1  |
| 2          | 3/4"         | 113.0 | 53.0  | 49.3  |
| 3          | 1"           | 133.1 | 63.2  | 63.5  |
| 4          | 1 1/4"       | 180.0 | 84.0  | 66.0  |
| 5          | 1 1/2"       | 190.6 | 82.1  | 72.6  |
| 6          | 2"           | 198.6 | 94.1  | 84.7  |
| 7          | 2 1/2"       | 210.0 | 109.2 | 83.9  |
| 8          | 3"           | 253.2 | 132.8 | 92.5  |
| 9          | 4"           | 272.2 | 160.4 | 93.2  |
| 10         | 5"           | 354.0 | 200.0 | 115.5 |
| 11         | 6"           | 422.0 | 258.0 | 112.0 |

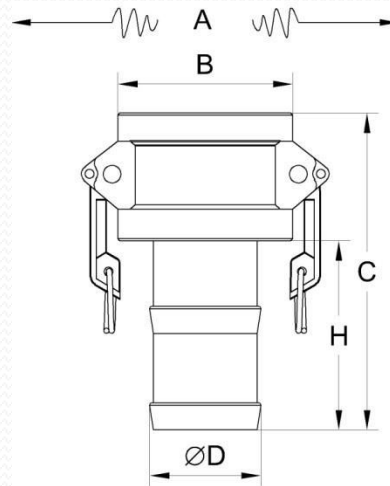
All dimensions are in mm ; dimensions subject to change without notice please.



# TTR ENTERPRISES

## CAMLOCK COUPLERS

### ADAPTOR-C



| Serial No. | Camlock Size | A     | B     | C     | H     | ØD    |
|------------|--------------|-------|-------|-------|-------|-------|
| 1          | 1/2"         | 114.0 | 52.0  | 84.0  | 52.3  | 15.2  |
| 2          | 3/4"         | 113.9 | 52.0  | 84.0  | 52.3  | 20.9  |
| 3          | 1"           | 120.5 | 60.2  | 106.9 | 60.9  | 26.1  |
| 4          | 1 1/4"       | 177.0 | 80.0  | 112.0 | 57.0  | 34.6  |
| 5          | 1 1/2"       | 189.4 | 83.6  | 112.5 | 68.5  | 39.7  |
| 6          | 2"           | 193.7 | 95.0  | 129.6 | 79.7  | 52.5  |
| 7          | 2 1/2"       | 211.0 | 106.8 | 139.2 | 87.0  | 65.9  |
| 8          | 3"           | 241.9 | 133.5 | 162.1 | 104.7 | 77.1  |
| 9          | 4"           | 263.0 | 158.0 | 163.0 | 93.0  | 102.5 |
| 10         | 5"           | 336.0 | 200.0 | 191.5 | 125.0 | 131.2 |
| 11         | 6"           | 402.7 | 229.3 | 230.0 | 165.0 | 149.6 |

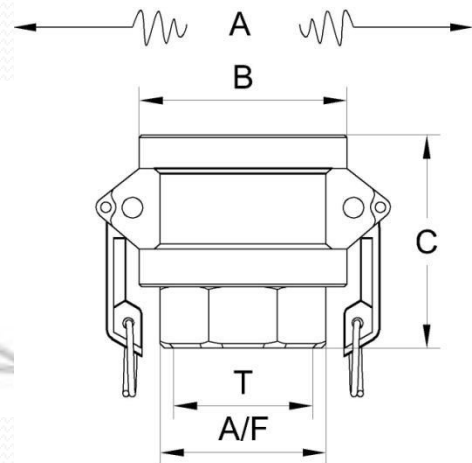
All dimensions are in mm ; dimensions subject to change without notice please.



# TTR ENTERPRISES

## CAMLOCK COUPLERS

### COUPLER-D



| Serial No. | Camlock Size | A     | B     | C     | A/F   |
|------------|--------------|-------|-------|-------|-------|
| 1          | 1/2"         | 105.0 | 46.0  | 42.5  | 25.5  |
| 2          | 3/4"         | 115.0 | 53.0  | 46.0  | 32.0  |
| 3          | 1"           | 133.3 | 61.3  | 55.3  | 38.5  |
| 4          | 1 1/4"       | 177.0 | 80.0  | 63.0  | 50.0  |
| 5          | 1 1/2"       | 188.0 | 92.3  | 66.0  | 54.5  |
| 6          | 2"           | 198.4 | 100.7 | 75.7  | 66.5  |
| 7          | 2 1/2"       | 211.3 | 111.7 | 82.3  | 81.5  |
| 8          | 3"           | 244.2 | 134.4 | 87.2  | 94.5  |
| 9          | 4"           | 280.0 | 163.0 | 100.9 | 124.0 |
| 10         | 5"           | 306.4 | 192.0 | 106.3 | 153.5 |
| 11         | 6"           | 418.9 | 245.2 | 113.0 | 185.0 |

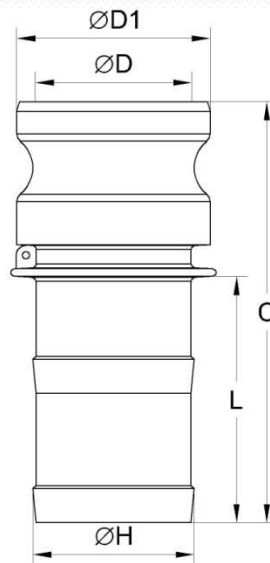
All dimensions are in mm ; dimensions subject to change without notice please.



# TTR ENTERPRISES

## CAMLOCK COUPLERS

### ADAPTOR-E



| Serial No. | Camlock Size | ØD1   | C     | ØH    | ØD    | L     |
|------------|--------------|-------|-------|-------|-------|-------|
| 1          | 1/2"         | 34.0  | 70.5  | 15.0  | 32.5  | 38.0  |
| 2          | 3/4"         | 32.7  | 87.0  | 22.0  | 32.1  | 51.3  |
| 3          | 1"           | 41.5  | 99.0  | 27.0  | 36.7  | 54.7  |
| 4          | 1 1/4"       | 54.5  | 110.0 | 34.0  | 45.5  | 56.0  |
| 5          | 1 1/2"       | 55.4  | 114.4 | 39.2  | 53.4  | 60.6  |
| 6          | 2"           | 66.7  | 131.5 | 52.6  | 63.0  | 69.7  |
| 7          | 2 1/2"       | 81.1  | 142.5 | 66.5  | 75.8  | 80.3  |
| 8          | 3"           | 101.5 | 144.1 | 79.4  | 91.5  | 81.3  |
| 9          | 4"           | 123.7 | 175.2 | 102.3 | 119.5 | 141.2 |
| 10         | 5"           | 166.5 | 199.2 | 132.0 | 146.0 | 121.4 |
| 11         | 6"           | 209.1 | 246.7 | 157.5 | 175.3 | 159.9 |

All dimensions are in mm ; dimensions subject to change without notice please.

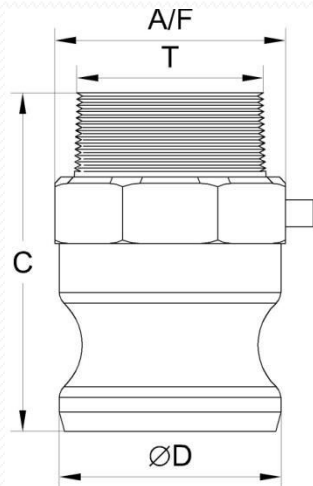




# TTR ENTERPRISES

## CAMLOCK COUPLERS

### ADAPTOR-F



| Serial No. | Camlock Size | A/F   | C     | ØD    |
|------------|--------------|-------|-------|-------|
| 1          | 1/2"         | 34.0  | 49.0  | 32.0  |
| 2          | 3/4"         | 32.5  | 55.0  | 32.1  |
| 3          | 1"           | 40.0  | 66.0  | 36.7  |
| 4          | 1 1/4"       | 48.0  | 77.0  | 45.5  |
| 5          | 1 1/2"       | 55.5  | 76.8  | 53.4  |
| 6          | 2"           | 65.0  | 86.6  | 63.0  |
| 7          | 2 1/2"       | 81.0  | 99.5  | 75.8  |
| 8          | 3"           | 92.5  | 100.0 | 91.5  |
| 9          | 4"           | 120.5 | 113.3 | 119.5 |
| 10         | 5"           | 156.0 | 130.4 | 146.0 |
| 11         | 6"           | 179.5 | 139.8 | 175.8 |

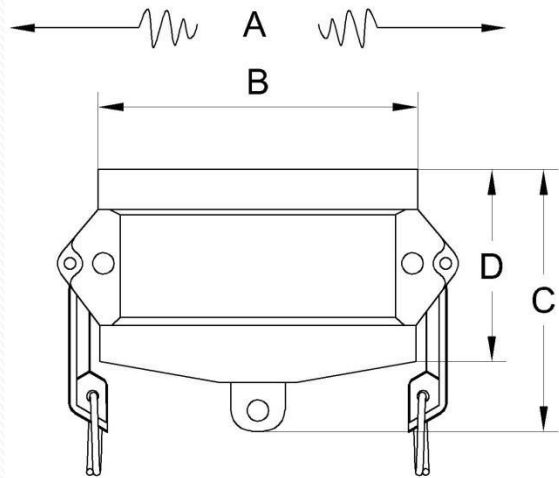
All dimensions are in mm ; dimensions subject to change without notice please.



# TTR ENTERPRISES

## CAMLOCK COUPLERS

### DUST COUPLER-DC



| Serial No. | Camlock Size | A     | B     | C    | D    |
|------------|--------------|-------|-------|------|------|
| 1          | 1/2"         | 117.0 | 60.0  | 46.0 | 38.0 |
| 2          | 3/4"         | 117.0 | 60.0  | 46.0 | 38.0 |
| 3          | 1"           | 135.0 | 69.0  | 51.0 | 41.0 |
| 4          | 1 1/4"       | 177.0 | 80.0  | 54.0 | 44.0 |
| 5          | 1 1/2"       | 149.0 | 87.0  | 57.0 | 47.0 |
| 6          | 2"           | 159.0 | 97.0  | 65.0 | 54.0 |
| 7          | 2 1/2"       | 207.0 | 111.0 | 70.0 | 54.0 |
| 8          | 3"           | 253.0 | 137.0 | 70.0 | 59.0 |
| 9          | 4"           | 278.0 | 162.0 | 74.0 | 61.0 |
| 10         | 5"           | 305.0 | 189.0 | 75.0 | 62.0 |
| 11         | 6"           | 413.0 | 260.0 | 85.0 | 71.0 |

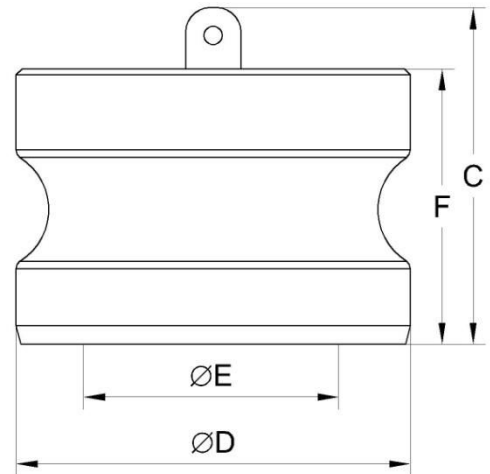
All dimensions are in mm ; dimensions subject to change without notice please.



# TTR ENTERPRISES

## CAMLOCK COUPLERS

### DUSTPLUG-DP



| Serial No. | Cam Groove Coupling Size | ØD    | ØE   | F    | C    |
|------------|--------------------------|-------|------|------|------|
| 1          | 1/2"                     | 32.6  | 14.0 | 29.0 | 37.0 |
| 2          | 3/4"                     | 32.6  | 19.0 | 29.0 | 37.0 |
| 3          | 1"                       | 36.5  | 24.0 | 32.0 | 42.0 |
| 4          | 1 1/4"                   | 45.4  | 27.0 | 39.0 | 51.0 |
| 5          | 1 1/2"                   | 53.3  | 36.0 | 41.0 | 51.0 |
| 6          | 2"                       | 63.0  | 45.0 | 49.0 | 60.0 |
| 7          | 2 1/2"                   | 75.8  | 57.5 | 46.0 | 58.0 |
| 8          | 3"                       | 92.0  | 71.0 | 53.0 | 64.0 |
| 9          | 4"                       | 119.4 | 80.0 | 53.0 | 66.0 |
| 10         | 5"                       | 146.0 | 86.0 | 54.0 | 67.0 |
| 11         | 6"                       | 176.0 | 86.0 | 54.0 | 68.0 |

All dimensions are in mm ; dimensions subject to change without notice please.



# TTR ENTERPRISES

## CAMLOCK COUPLERS

**Cam lock coupling statistics to be furnished with enquiry or order**

- Cam lock size i.e. ½" or 1" & so on.
- Body material i.e. SS-304 / SS-316 & so on
- Cam arm material i.e. chrome steel ss304/ss316 & so on.
- Seal material i.e. nitrite or silicone & so on.
- Brief coupler style & configuration(i.e. male thread/female/hose & type bsp / bspt/ npt.
- Adapter Material & configuration
- Operating Pressure in psi or kg/cm2
- Temperature variety
- Application
- Quantity in no's

### **Contact for Quote :**

**TTR ENTERPRISES**

**Hyderabad, Telangana-500085.**

**Phone : 040-48589462.**

**Mobile : +91-9381852120**

**+91-9021742823**

**Email : [info@ttrenterprise.com](mailto:info@ttrenterprise.com)**

**Website : [www.ttrenterprise.com](http://www.ttrenterprise.com)**